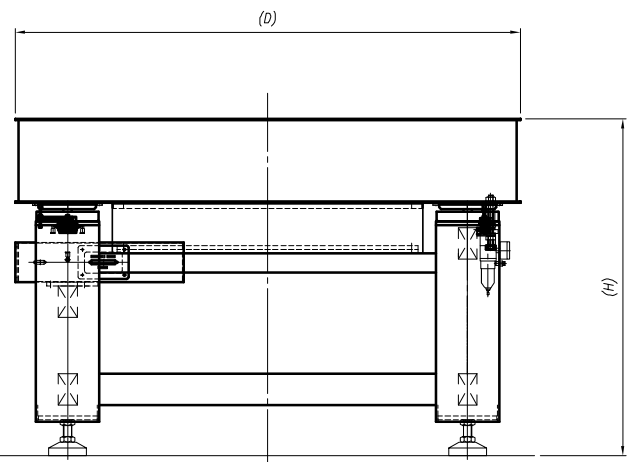
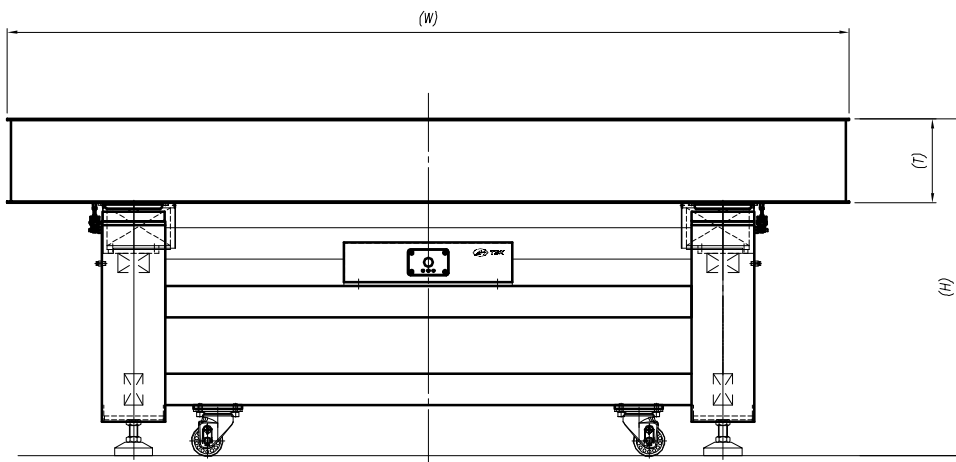
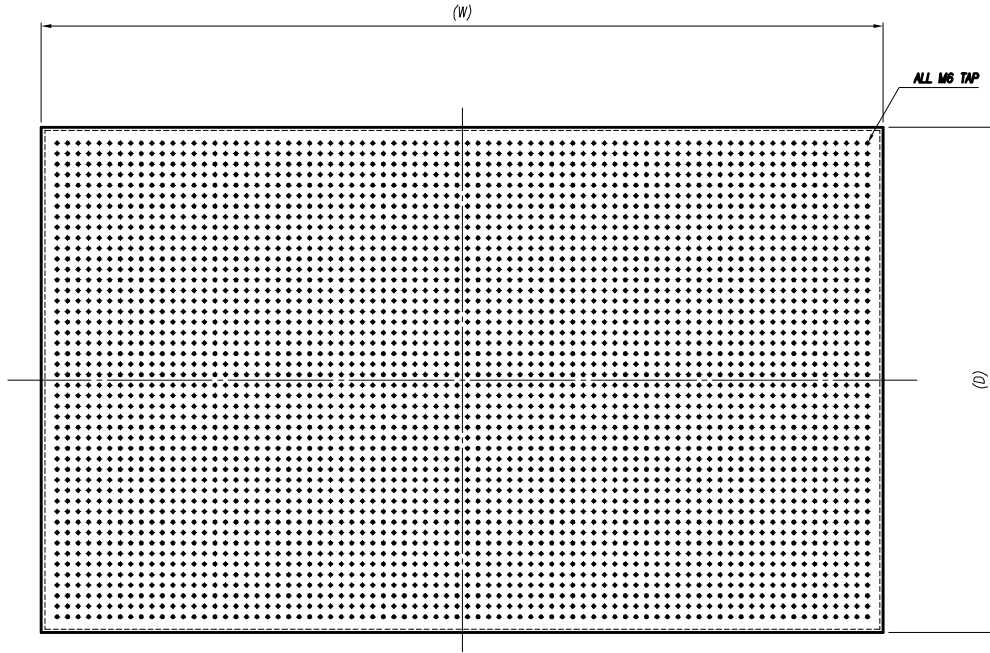


No							
1							
2							
3							



ROUGHNESS SYMBOL		UNLESS OTHERWISE SPECIFIED	DRAWN	AMTEK	CUSTOMER		
	~	FIN	✓	ANGLE : ±0.5°			
N10	50S	.X : ±0.3	.XX : ±0.10	CHECKED			
N8	12.5S	.XXX : ±0.05		APPROVED			
N6	3.2S				PROJECT No.		
N4	0.8S				SHEET	DATE :	
		[PROJECTION]			A4	SCALE : 1/1	
		THIRD ANGLE PROJECTION				REF No.	
						DWG No.	
						VAIS-PT	